

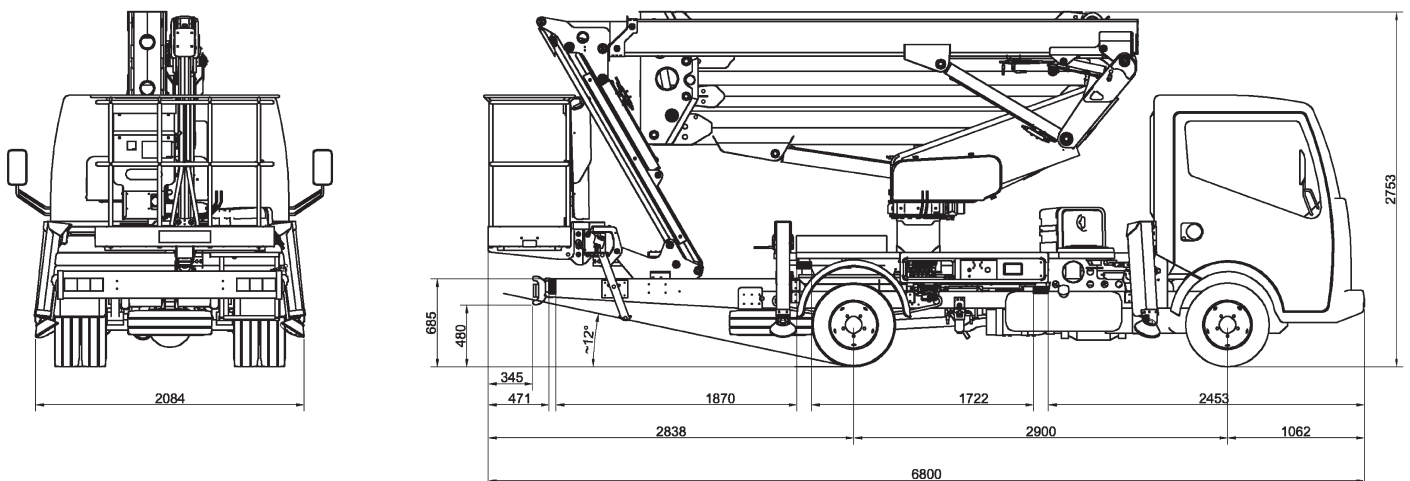
# SPECIFICATION (PRELIMINARY)

# CTEZED 21.3 JH

## TECHNICAL DATA

- Double pantograph + telescopic boom with single extension + jib
- Sigma boom movement enabled by connecting rods
- $\pm 320^\circ$  turret rotation
- Proportional, simultaneous electrohydraulic controls from basket and ground
- Smooth proportional controls with acceleration and deceleration ramps
- Engine start and stop controls from basket and ground
- Anti-slip aluminium deck
- Basket in aluminium 1400x700x1100 mm
- $90^\circ + 90^\circ$  hydraulic basket rotation
- Automatic hydraulically actioned basket levelling
- 4 hydraulic outriggers with ground pressure sensors: front variable jacking outriggers and rear straight down stabilizers
- Variable working area managed by **H Stab System**
- **CAN BUS** electronic management system
- Grounded control station with wired console
- Load cell
- Diagnostic display on board
- Hydraulic system operated by vehicle's PTO
- Buzzer indicating PTO engaged
- Hour meter
- 230 V AC in the basket
- EN 280:2015 CE certified
- Standard boom colours blue (RAL 5017) and white (RAL 9003)

## DIMENSIONS



**CTE S.p.A.**  
**Headquarter**

7 Via Caproni - Rovereto (TN) IT, 38068  
Ph. +39 0464 48.50.50 - Fax +39 0464 48.50.99  
info@ctelift.com - [www.ctelift.com](http://www.ctelift.com)

**Factory** 5 Loc. Terramatta - Rivoli Veronese (VR) IT, 37010

**CTE UK Ltd** Enderby Leicestershire - UK

# SPECIFICATION (PRELIMINARY)

# CTEZED 21.3 JH



20,6 m\*



6,9 / 9,6 m\*



250 kg



18,6 m



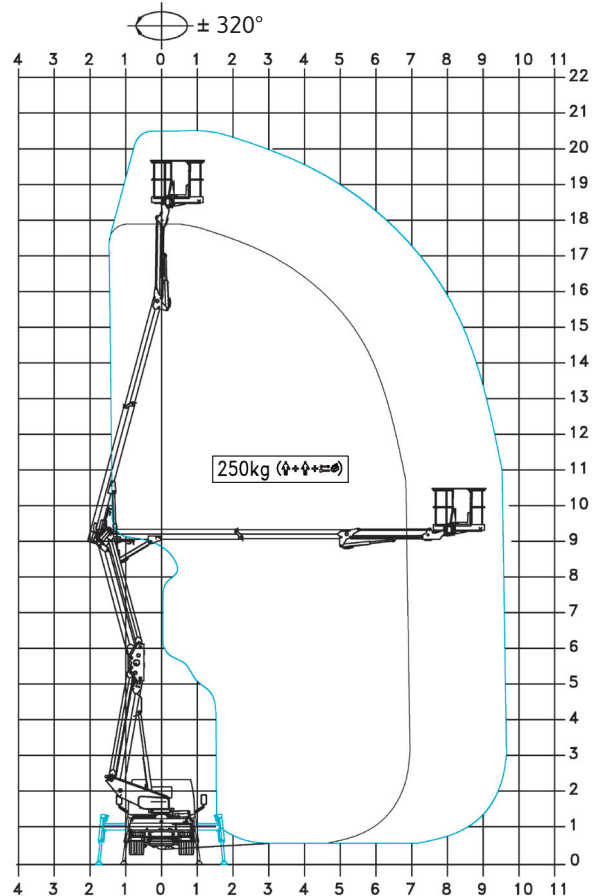
1400x700x1100 mm

**GVW min**

3,5 t

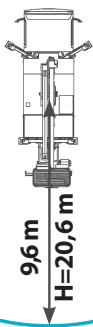
\* outreach and height max values and repeatability can change within  $\pm 3\%$  due to manufacturing variation and working condition.

## WORKING ENVELOPE

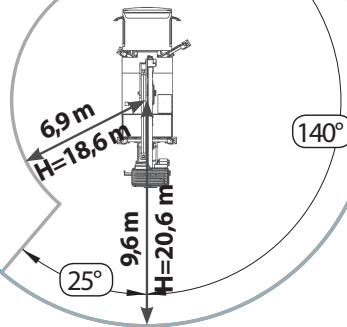


## OUTRIGGER FOOTPRINT

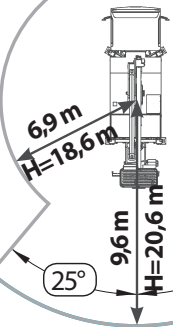
Fully extended jacking



Left or right jacking



Narrow jacking



**CTE S.p.A.**  
**Headquarter**  
 7 Via Caproni - Rovereto (TN) IT, 38068  
 Ph. +39 0464 48.50.50 - Fax +39 0464 48.50.99  
 info@ctelift.com - [www.ctelift.com](http://www.ctelift.com)  
**Factory** 5 Loc. Terramatta - Rivoli Veronese (VR) IT, 37010  
**CTE UK Ltd** Enderby Leicestershire - UK

Product specifications are subject to change without notice or obligation. Technical features and drawings in this brochure are for illustrative purposes only. \_ZED 21.3 JH - ed. 06/17

